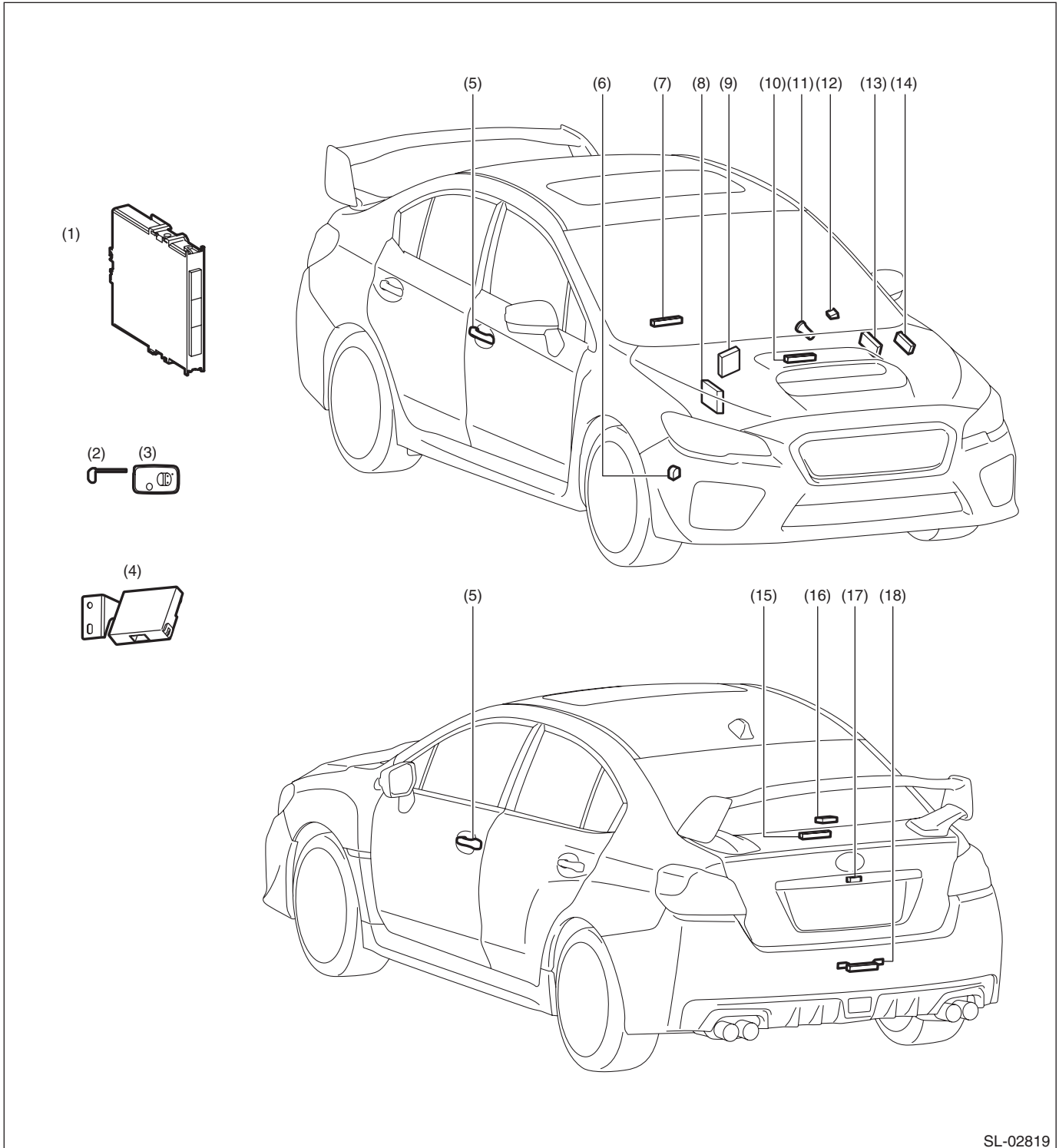


Electrical Component Location

KEYLESS ACCESS WITH PUSH BUTTON START SYSTEM (DIAGNOSTICS)

4. Electrical Component Location

A: LOCATION



SL-02819

Electrical Component Location

KEYLESS ACCESS WITH PUSH BUTTON START SYSTEM (DIAGNOSTICS)

- | | | |
|---|----------------------------------|----------------------------|
| (1) Keyless access CM | (8) ECM
(engine type FA) | (15) Rear interior antenna |
| (2) Mechanical key | (9) ECM
(engine type EJ) | (16) Receiver |
| (3) Access key | (10) Front interior antenna | (17) Trunk opener button |
| (4) ID code box
(for C0 model only) | (11) Push button ignition switch | (18) Rear exterior antenna |
| (5) Front outer handle (front exterior antenna)
– Touch sensor (lock)
– Touch sensor (unlock) | (12) Steering lock CM | |
| (6) Access buzzer | (13) TCM | |
| (7) Center interior antenna | (14) Body integrated unit | |